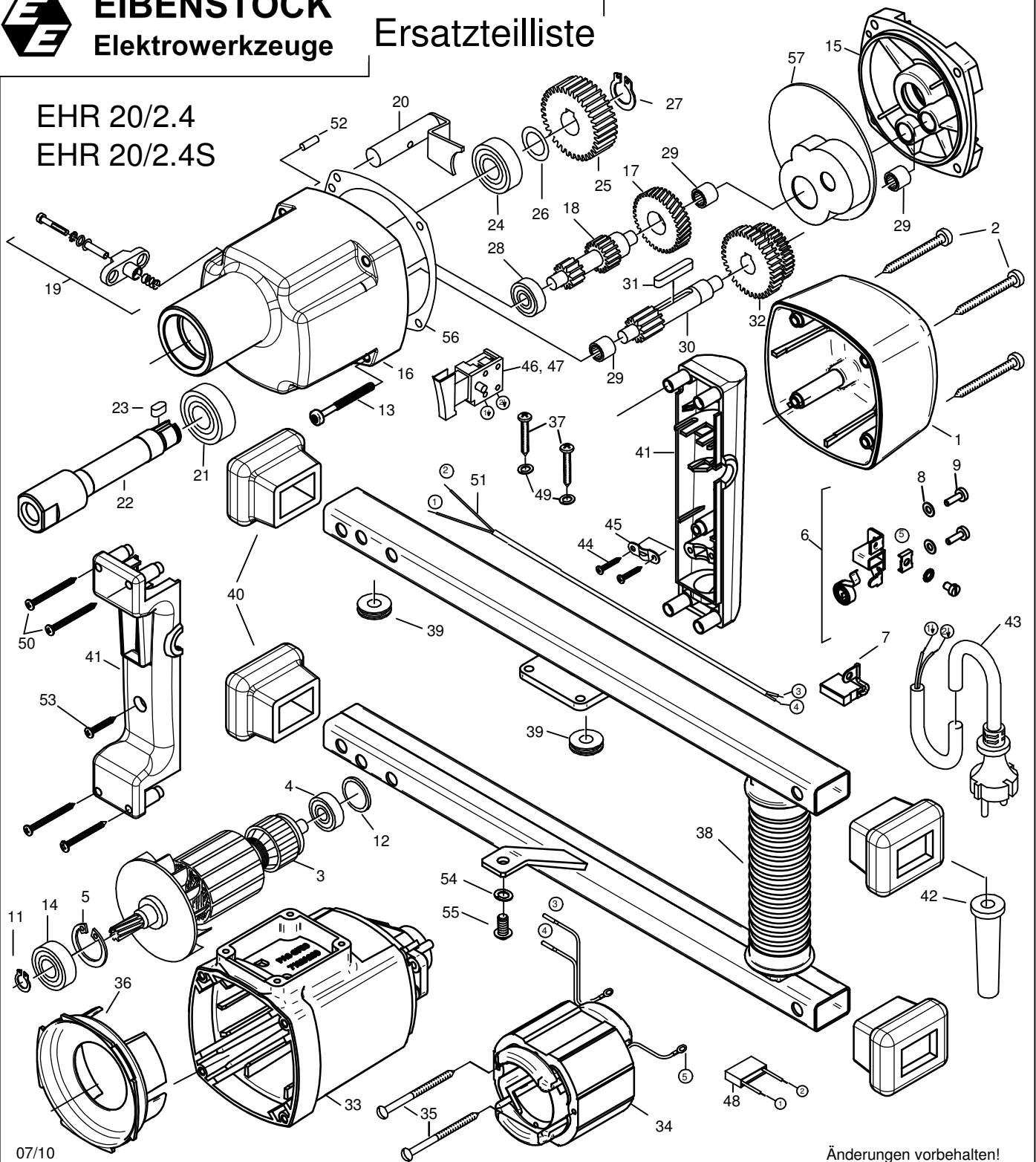




**EIBENSTOCK**  
Elektrowerkzeuge

# Ersatzteilliste

EHR 20/2.4  
EHR 20/2.4S



07/10

Änderungen vorbehalten!

**EHR 20/2.4**  
**EHR 20/2.4 S - 230 V**

0732A000  
 0732C / 07719

| Nr. | Bezeichnung                    | Bestellnr. | Stk | Nr. | Bezeichnung                        | Bestellnr. | Stk |
|-----|--------------------------------|------------|-----|-----|------------------------------------|------------|-----|
| 1   | Kappe                          | 80900182   | 1   | 30  | Welle f. Zahnradblock 13 Z.        | 71223460   | 1   |
| 2   | Blechschrabe HC 4,8x50         | 80201284   | 4   | 31  | Paßfeder A5x5x28                   | 80200602   | 1   |
| 3   | Läufer, kpl.                   | 7132A100   | 1   | 32  | Zahnradblock 34/40 Z.              | 71323440   | 1   |
| 4   | Rillenkugellager 608 2Z        | 80410011   | 1   | 33  | Motorgehäuse                       | 80900092   | 1   |
| 5   | Sicherungsring 28/1,2          | 80201333   | 1   | 34  | Polring, kpl.                      | 7132A150   | 1   |
| 6   | Taschenbürstenhalter, kpl.     | 80201196   | 2   | 35  | Blechschrabe C3,9x60               | 80201266   | 2   |
| 7   | Kohlebürste, kpl. 6,3x10x18    | 80700013   | 2   | 36  | Luftleitung                        | 80900286   | 1   |
| 8   | Federscheibe B4 gewellt        | 80201385   | 4   | 37  | Plastschrabe Torx 5x20             | 80201277   | 4   |
| 9   | Gewindefurchschrabe CM4x12     | 80201180   | 4   | 38  | Bügelgriff                         | 80200110   | 1   |
| 10  |                                |            |     | 39  | Durchführungstülle HV 1305         | 83000051   | 2   |
| 11  | Sicherungsring 11/1            | 80201320   | 1   | 40  | Dämpfungspuffer                    | 83000052   | 4   |
| 12  | O-Ring 22x2,5                  | 83000036   | 1   | 41  | Griffpaar                          | 80900098   | 1   |
| 13  | PT-Schrabe 50x50               | 80201449   | 4   | 42  | Kabelausführungsmuffe              | 83000004   | 1   |
| 14  | Rillenkugellager 6001 2Z       | 80410031   | 1   | 43  | Anschlußleitung 2x1mm <sup>2</sup> | 80600060   | 1   |
| 15  | Getriebelagerschild, grün      | 7731K610   | 1   | 44  | Blechschrabe HC4,2x13              | 80201270   | 2   |
| 16  | Getriebegehäuse, schwarz       | 7732H400   | 1   | 45  | Zugentlastungsschelle              | 85000020   | 1   |
| 17  | Zwischenrad 33 Z.              | 7132A470   | 1   | 46  | Einbauschalte                      | 80600507   | 1   |
| 18  | Welle mit zwei Ritzel 11/17 Z. | 71323500   | 1   | 47  | Einbauschalte "S"                  | 80600135   | 1   |
| 19  | Getriebebeschalter, kpl.       | 7732H545   | 1   | 48  | Entstörkondensator                 | 80500010   | 1   |
| 20  | Kupplungsbolzen, kpl.          | 71323520   | 1   | 49  | Federring 5                        | 80201302   | 4   |
| 21  | Rillenkugellager 6003 2RS      | 80410043   | 1   | 50  | Blechschrabe HC 4,8x45             | 80201267   | 4   |
| 22  | Arbeitsspindel                 | 77323420   | 1   | 51  | Schalteleite                       | 80600072   | 1   |
| 23  | Paßfeder A5x5x12               | 80200601   | 1   | 52  | Steckerbstift 4x12                 | 80200582   | 1   |
| 24  | Rillenkugellager 6203 2RS      | 80410130   | 1   | 53  | Blechschrabe HC4,8x22              | 80201280   | 1   |
| 25  | Spindelrad 45 Z.               | 71323430   | 1   | 54  | Federring 6                        | 80201303   | 1   |
| 26  | Paßscheibe 15/22x0,2           | 80200504   | 1   | 55  | Linsenschrabe M6x12                | 80201209   | 1   |
| 27  | Sicherungsring 15/1            | 80201322   | 1   | 56  | Getriebedichtung                   | 82000507   | 1   |
| 28  | Rillenkugellager 608           | 80410010   | 1   | 57  | Fettkammerschott                   | 80900119   | 1   |
| 29  | Nadelhülse HK 0810             | 80420110   | 3   |     |                                    |            |     |

**EHR 20/2.4 S - 110 V**

0732FR00

|    |               |          |   |    |                 |          |   |
|----|---------------|----------|---|----|-----------------|----------|---|
| 3  | Läufer, kpl.  | 7132D100 | 1 | 43 | Anschlußleitung | 77319262 | 1 |
| 34 | Polring, kpl. | 7132D150 | 1 | 46 | Einbauschalte   | 80600140 | 1 |

**EHR 20/2.4**  
**EHR 20/2.4 S - 230 V**

0732A000  
 0732C / 07719

| No. | Description                   | Order No. | Pcs | No. | Description                  | Order No. | Pcs |
|-----|-------------------------------|-----------|-----|-----|------------------------------|-----------|-----|
| 1   | cap                           | 80900182  | 1   | 30  | shaft 13 Z.                  | 71223460  | 1   |
| 2   | self tapping screw HC 4,8x50  | 80201284  | 4   | 31  | fitting key A5x5x28          | 80200602  | 1   |
| 3   | rotor complete                | 7132A100  | 1   | 32  | gear block 34/40 Z.          | 71323440  | 1   |
| 4   | grooved ball bearing 608 2Z   | 80410011  | 1   | 33  | motor housing                | 80900092  | 1   |
| 5   | locking ring 28/1,2           | 80201333  | 1   | 34  | stator complete              | 7132A150  | 1   |
| 6   | brush holder                  | 80201196  | 2   | 35  | self tapping screw HC 3,9x60 | 80201266  | 2   |
| 7   | carbon brush 6,3x10x18        | 80700013  | 2   | 36  | air guiding ring             | 80900286  | 1   |
| 8   | lock washer B4                | 80201385  | 4   | 37  | plastic screw Torx 5x20      | 80201277  | 4   |
| 9   | self tapping screw CM4x12     | 80201180  | 4   | 38  | bow handle black             | 80200110  | 1   |
| 10  |                               |           |     | 39  | cable grommet HV 1305        | 83000051  | 2   |
| 11  | locking ring 11/1             | 80201320  | 1   | 40  | absorption buffer            | 83000052  | 4   |
| 12  | o-ring 22x2,5                 | 83000036  | 1   | 41  | pair of handle halves        | 80900098  | 1   |
| 13  | pt-screw 50x50                | 80201449  | 4   | 42  | cable grommet                | 83000004  | 1   |
| 14  | grooved ball bearing 6001 2Z  | 80410031  | 1   | 43  | connecting cable             | 80600060  | 1   |
| 15  | end shield of gearing green   | 7731K610  | 1   | 44  | self tapping screw HC 4,2x13 | 80201270  | 2   |
| 16  | gearbox housing black         | 7732H400  | 1   | 45  | wire locking flange          | 85000020  | 1   |
| 17  | intermediate wheel            | 7132A470  | 1   | 46  | switch                       | 80600507  | 1   |
| 18  | shaft 11/17 Z.                | 71323500  | 1   | 47  | switch                       | 80600135  | 1   |
| 19  | gear changer complete         | 7732H545  | 1   | 48  | anti parasite condenser      | 80500010  | 1   |
| 20  | coupling bolt complete        | 71323520  | 1   | 49  | lock washer 5                | 80201302  | 4   |
| 21  | grooved ball bearing 6003 2RS | 80410043  | 1   | 50  | self tapping screw HC 4,8x45 | 80201267  | 4   |
| 22  | work spindle                  | 77323420  | 1   | 51  | interconnecting wire         | 80600072  | 1   |
| 23  | fitting key A5x5x12           | 80200601  | 1   | 52  | notched pin plug 4x12        | 80200582  | 1   |
| 24  | grooved ball bearing 6203 2RS | 80410130  | 1   | 53  | self tapping screw HC 4,8x22 | 80201280  | 1   |
| 25  | spindle wheel 45 Z.           | 71323430  | 1   | 54  | lock washer A6               | 80201303  | 1   |
| 26  | fitting washer 15/22x0,2      | 80200504  | 1   | 55  | lens head screw HM 6x12      | 80201209  | 1   |
| 27  | locking ring 15/1             | 80201322  | 1   | 56  | gearbox seal                 | 82000507  | 1   |
| 28  | grooved ball bearing 608      | 80410010  | 1   | 57  | grease compartment barrier   | 80900119  | 1   |
| 29  | needle sleeve HK 0810         | 80420110  | 3   |     |                              |           |     |

**EHR 20/2.4 S - 110 V**

0732FR00

|    |                 |          |   |    |                                   |          |   |
|----|-----------------|----------|---|----|-----------------------------------|----------|---|
| 3  | rotor complete  | 7132D100 | 1 | 43 | connecting cable 2x1 <sup>2</sup> | 77319262 | 1 |
| 34 | stator complete | 7132D150 | 1 | 46 | switch                            | 80600140 | 1 |